

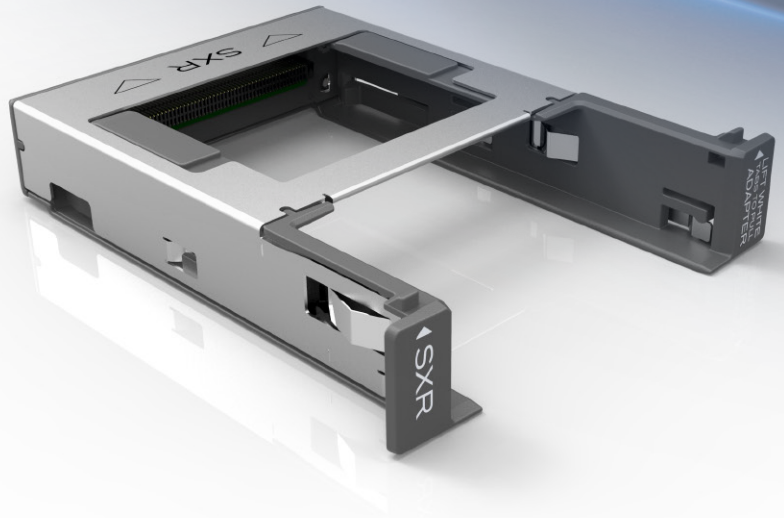
Capture Drive SXR™ Adaptor for ALEXA SXT

codex

Designed and manufactured in England by Codex

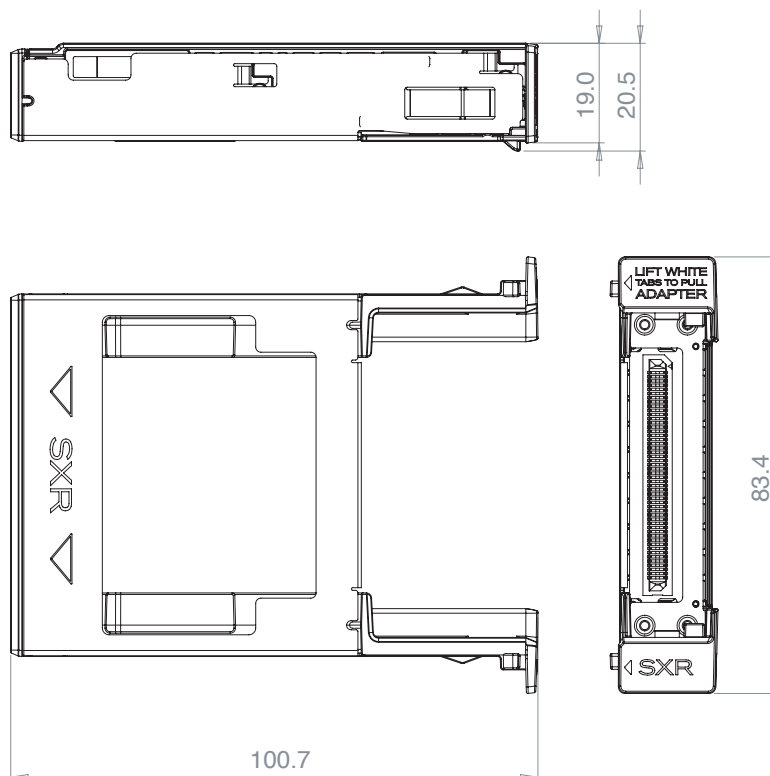
ALEXA SXT

The Codex Capture Drive SXR™ Adaptor for ALEXA SXT allows for the use of Codex Capture Drive SXR 2TB with the ARRI ALEXA SXT camera, providing flexibility, reliability, and extending the life of media.



SPECIFICATIONS

Product Code	CDX-37097
ROHS Conformity	YES
Dimensions [W x D x H]	100.74 x 83.42 x 20.59mm
Weight	52g



For further information on Codex Media and Adaptors, please go to codexdigital.com/media